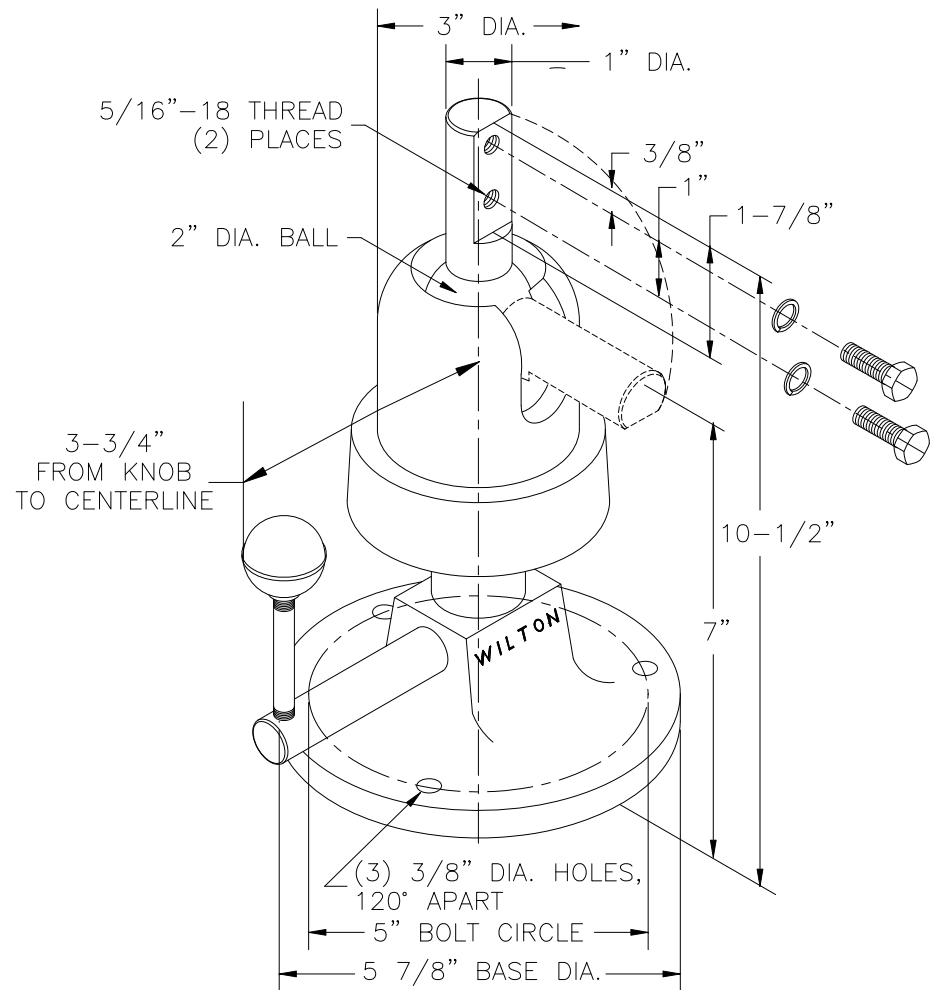
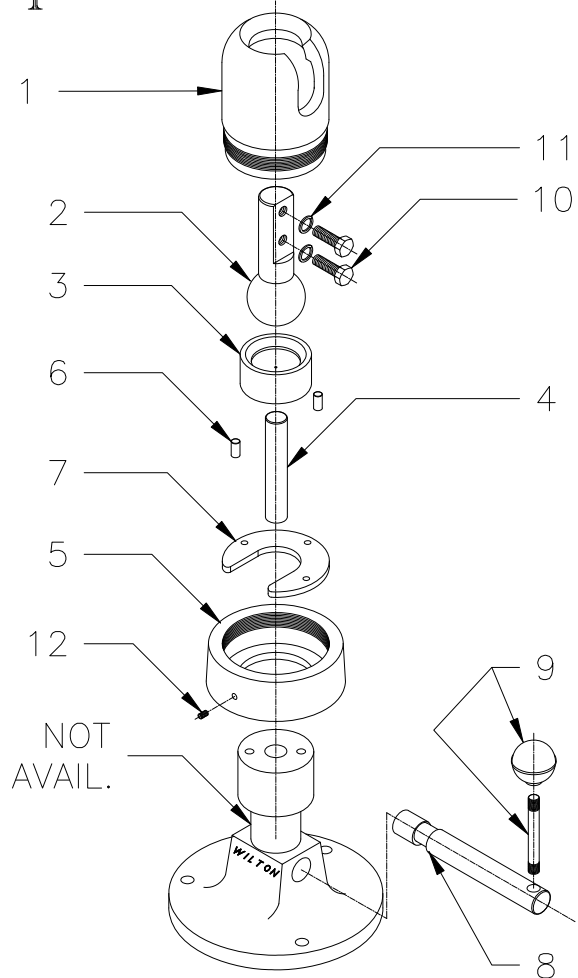


# POW-R-ARM WORK POSITIONERS

## Mechanical Model 301

### Replacement Parts



#### WILTON MECHANICAL MODEL 301

1	2010800	CROWN
2	2010031	SWIVEL BALL
3	2010041	PRESSURE PAD
4	2010081	PUSH ROD
5	2010830	CROWN NUT
6	2010091	PAD PINS (2)
7	9030811	HEAD WASHER
8	2010071	ECCENTRIC SHAFT
9	2900450	KNOB & HANDLE

#### STANDARD HARDWARE ITEMS—PURCHASE LOCALLY

10	5/16"–18 X 1" LG. HEX.HD.CAPSCREW	(2)
11	5/16" FLAT WASHER	(2)
12	1/4"–20 X 3/8" LG. SOCKET HEAD SET SCREW	